

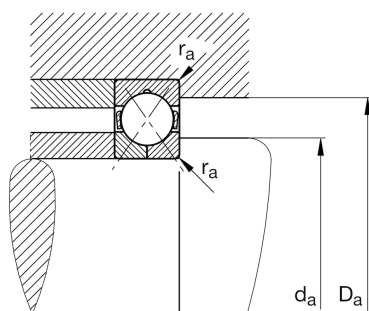
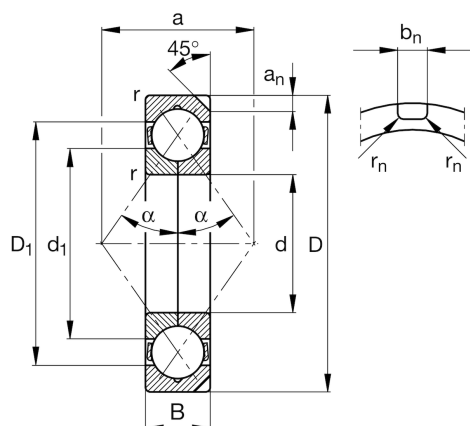
FAG

QJ228-N2-MPA

Four-point contact bearing

Schaeffler ID:
0190052450000Four point contact bearing QJ2..-N2-MPA,
holding grooves, solid brass cage

Technical information



Main Dimensions & Performance Data

d	140 mm	Bore diameter
D	250 mm	Outside diameter
B	42 mm	Width
C _r	315.000 N	Basic dynamic load rating, radial
C _{0r}	420.000 N	Basic static load rating, radial
C _{ur}	16.900 N	Fatigue load limit, radial
n _G	4.700 1/min	Limiting speed
n _{gr}	2.600 1/min	Reference speed
	9,371 kg	Weight

Dimensions

r _{min}	3 mm	Minimum chamfer dimension
D ₁	210,5 mm	Shoulder diameter outer ring
d ₁	180 mm	Shoulder diameter inner ring
a	137 mm	Distance between the apexes of the pressure cones
a _n	11,7 mm	Height retaining slot
b _n	10,5 mm	Width retaining slot
r _n	2 mm	Radius retaining slot
	45 °	Angle retaining slot
α	35 °	Contact angle

Mounting dimensions

d _{a min}	154 mm	Minimum diameter shaft shoulder
D _{a max}	236 mm	Maximum diameter of housing shoulder
r _{a max}	2,5 mm	Maximum fillet radius

Temperature range

T _{min}	-30 °C	Operating temperature min.
T _{max}	200 °C	Operating temperature max.